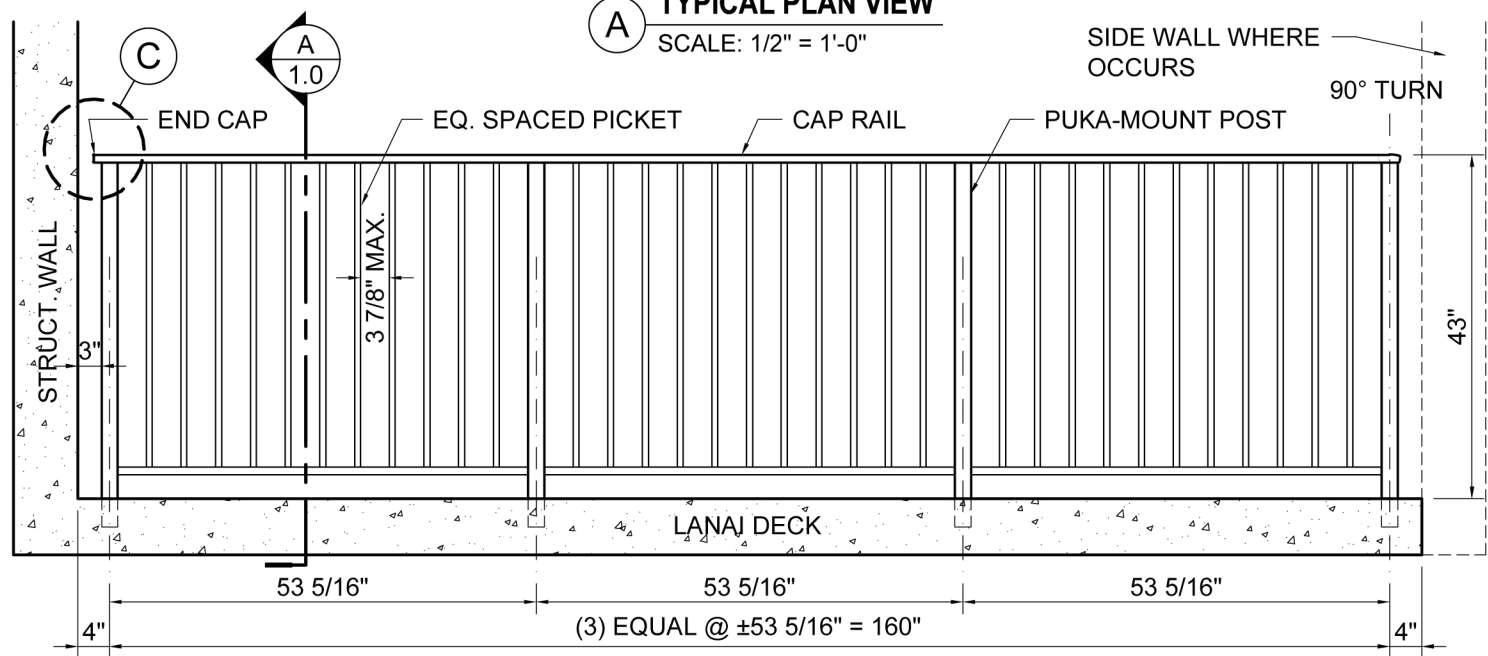
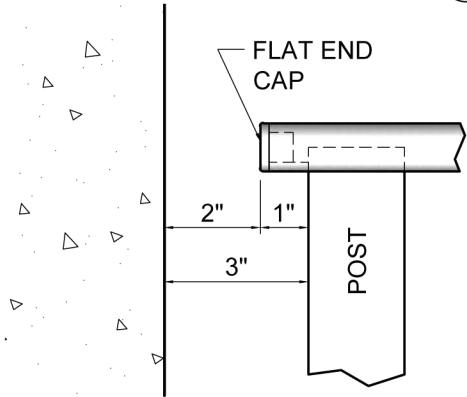


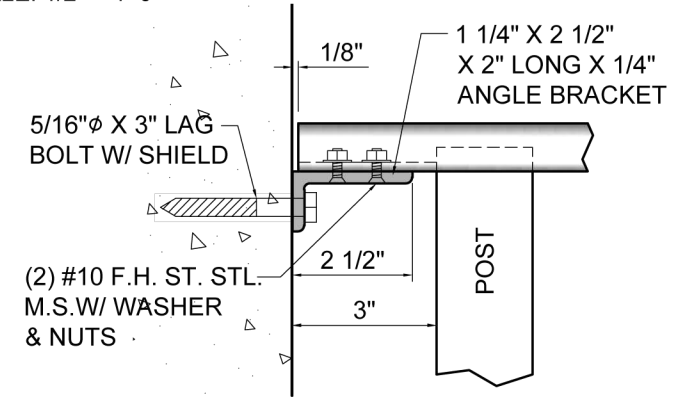
**A** TYPICAL PLAN VIEW  
SCALE: 1/2" = 1'-0"



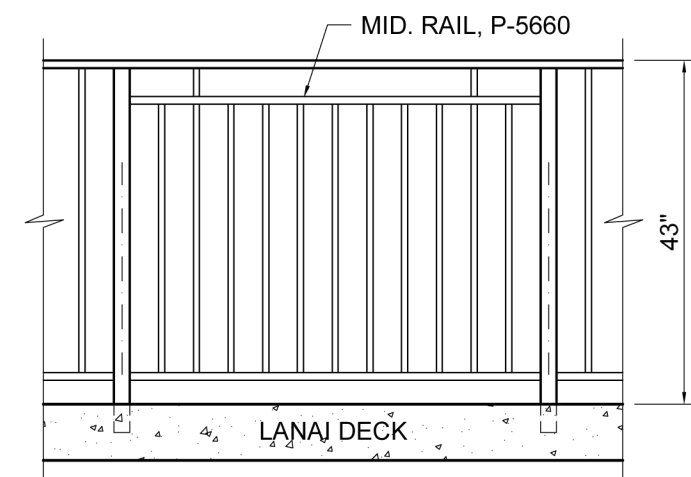
**B** TYPICAL ELEVATION  
SCALE: 1/2" = 1'-0"



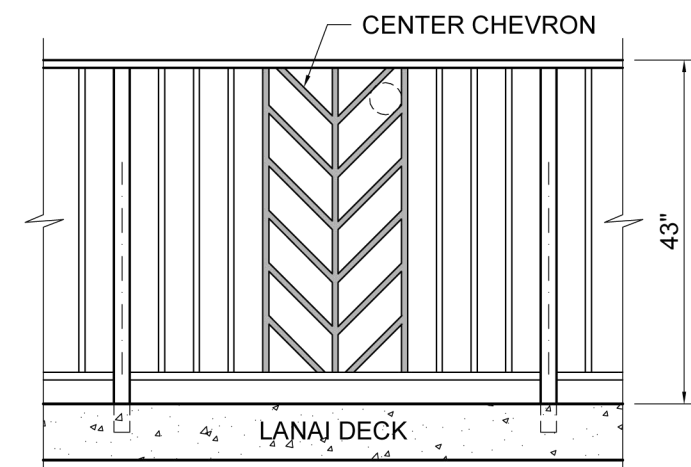
**C** FLAT END CAP  
SCALE: 3" = 1'-0"



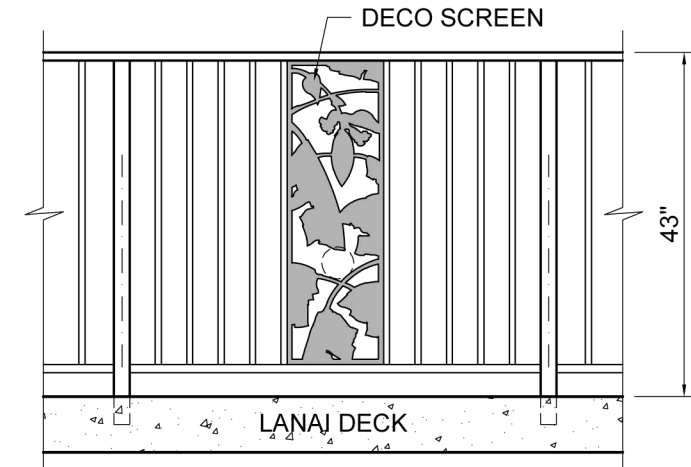
**C1** OPTIONAL END BRACKET  
SCALE: 3" = 1'-0"



PANEL WITH MIDDLE RAIL



PANEL WITH CENTER CHEVRON  
WELDED PICKETS



PANEL WITH DECORATIVE SCREEN  
WATERJET SCREEN

**OPTIONAL PANEL FEATURE**

**SERIES 300 ALUM. PICKET GUARDRAIL  
WITH PUKA-MOUNT POST**

**SERIES 300 ALUM. GUARDRAIL**

DRAWING TITLE:  
POST SECTION  
INTERCHANGEABLE PARTS

DRAWN BY: JCHU  
DATE- MDY: 10-6-2011

DRAWING #: